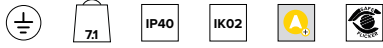
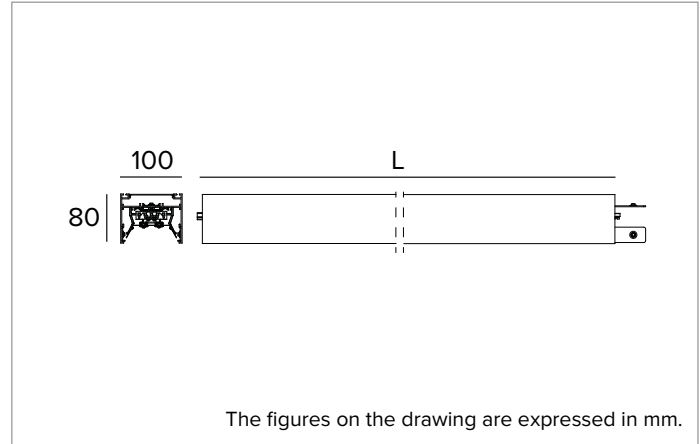


T011MX840ELPW | LOGICO EASY System 100 - OPAL HO

LED luminaire for ceiling or suspended system installation. Linear module



| | | 4000K | H(m) | D(m) | E _{max} (lx) |
|---------------|-----------------------------|------------------|--------|-------|-----------------------|
| | | Ra80 | | 109° | |
| Fixture Power | | 82W | 1 | 2.82 | 2723 |
| Source Flux | | 7578lm | 2 | 5.64 | 681 |
| Fixture Flux | | 7578lm | 3 | 8.46 | 303 |
| Efficacy | | 92lm/W | 4 | 11.28 | 170 |
| G0301A | I _{max} =359cd/klm | I _{max} | 2724cd | 5 | 14.10 |



SOURCE

LED Engine made of linear LED boards Ra80.

Energy efficiency class: D

Nominal power: 72W

Nominal flux: 7578lm

Colour rendering index: 80

Rf: 84

Rg: 95

CCT nominal: 4000K

Lifetime (L80/B10): 100000h tq +25°C

ILLUMINOTECHNICAL CHARACTERISTICS

Direct emission. Diffused light - OPAL High Output optic: optical system made of a steel reflector with white polymer coating and a closing diffuser screen in opal anti-glare polycarbonate supplied in unrollable reels and available as a related code.

Emission: DIRECT

Optic: REFLECTOR

Optical efficiency: 100%

Fixture flux: 7578lm

Luminous efficacy: 92lm/W

Photobiological safety: Compliant with RG0 exempt risk group

MECHANICAL CHARACTERISTICS

Painted extruded aluminium body with 100mm section. Upper closing screen in white PVC.

Colour and finish: White

Dimensions: L=2336mm

Weight: 7.1Kg

Version: LINEAR

Degree of protection: IP40

Mechanical Resistance: IK02

ELECTRICAL CHARACTERISTICS

Integrated electronic ON-OFF driver. "Easy Connection" system for a quick connection between the modules of the system thanks to the pre-assembled plug/socket connection elements. Preset for through wiring allowing to reach a maximum length of 18 meters. Luminaire compliant with EN 60598-2-22 for power supply from a centralised emergency system CPSS (Central Power Supply System), not incorporated in the luminaire - high risk areas excluded. The default power and flux are 100% in AC and 100% in DC.

Fixture Power: 82W

Power supply: 220-240Vac 50/60Hz

Insulation Class: CLASS 1

Type of driver / Control: ON-OFF

Driver included: YES

Class F: YES

SAFE FLICKER: PstLM=<1 and SVM=<0.4 (IEC TR 61547-1 and IEC TR 63158), to ensure a more comfortable and safe light

Ambient temperature: 0°C / +25°C

Relative humidity UR: <85%

INSTALLATION

To be completed with polycarbonate end caps, mounting systems for surface or suspended application and terminal block for connection to the power line.

NOTES

For angular configurations L light modules and the L blind joint accessory are available. Commissioning of the control system via free APP; the intervention of a specialist technician can be quoted on request.

REGULATIONS AND CERTIFICATIONS

CE.

WARRANTY

5 years.

WARNING

Luminaire designed for disposal/recycling at end-of-life. Replaceable (LED only) light source by a professional. Replaceable control gear by a professional.

Due to the technological evolution of the electronic components, the data provided may be updated, and as such, confirmation must be requested during the order process.

Luminous flux and power supply have +/-10% tolerances with respect to the indicated value. tq +25°C (CIE 121).

We reserve the right to make technical changes.

Targetti Sankey S.r.l.
Via Pratese, 164
50145 Firenze - Italy
Tel: +39 055 37911
targetti.com
targetti@targetti.com

CCIAA Firenze
Share Capital:
€ 500.000,00
VAT N. (IT):
01537660480
R.E.A: FI-275656

TARGETTI

T011MX840ELPW | LOGICO EASY System 100 - OPAL HO LED luminaire for ceiling or suspended system installation. Linear module

Related codes

Screen



| Dimensions | Code |
|------------|----------------|
| L=6m | A002LL1 |
| L=9m | A002LL2 |
| L=15m | A002LL3 |

OPAL screen (Direct Emission).
For LOGICO EASY System 100 - OPAL.

Accessories

End Caps



| Colour | Code |
|--------|----------------|
| ○ | A003L1W |

End caps (2 pieces).
For LOGICO EASY System 100.

Canopy



| Colour | Code |
|--------|--------------|
| ○ | A004W |

Canopy with 5 poles terminal block.
Feeding cable not included.

Cover Panel



| Colour | Code |
|--------|---------------|
| ○ | A005LW |

Joint for screens.
To be used for configurations longer than 15 meters.
For LOGICO EASY System 100.

Bracket



| Code |
|--------------|
| A006L |

Bracket for ceiling installation (2 pieces).
Two brackets needed for each lighting module.
For LOGICO EASY 100.



| Code |
|--------------|
| A007L |

Bracket with adjustment system for suspended installation (2 pieces).
Two brackets needed for each lighting module.
For LOGICO EASY 100.

Due to the technological evolution of the electronic components, the data provided may be updated, and as such, confirmation must be requested during the order process.
Luminous flux and power supply have +/-10% tolerances with respect to the indicated value. tq +25°C (CIE 121).

We reserve the right to make technical changes.

Targetti Sankey S.r.l.
Via Pratese, 164
50145 Firenze - Italy
Tel: +39 055 37911
targetti.com
targetti@targetti.com

CCIAA Firenze
Share Capital:
€ 500.000,00
VAT N. (IT):
01537660480
R.E.A: FI-275656

TARGETTI

T011MX840ELPW | LOGICO EASY System 100 - OPAL HO
LED luminaire for ceiling or suspended system installation. Linear module

Suspension



| | Version | Code |
|--|---------|--------------|
| | L=6m | A008T |
| | L=5m | A008U |
| | L=4m | A008V |
| | L=3m | A008W |
| | L=2m | A008X |
| | L=1m | A008Y |
| | L=0,5m | A008Z |

Suspension cable (2 pieces).

Terminal Box



| | Version | Code |
|--|---------------|--------------|
| | 3 Poli ON-OFF | A009Z |

Terminal block (plug/socket).
 One for each power supply.
A009Z - For LOGICO EASY 37 | 57 | 100.

*Due to the technological evolution of the electronic components, the data provided may be updated, and as such, confirmation must be requested during the order process.
 Luminous flux and power supply have +/-10% tolerances with respect to the indicated value. tq +25°C (CIE 121).*

We reserve the right to make technical changes.

Targetti Sankey S.r.l.
 Via Pratese, 164
 50145 Firenze - Italy
 Tel: +39 055 37911
 targetti.com
 targetti@targetti.com

CCIAA Firenze
 Share Capital:
 € 500.000,00
 VAT N. (IT):
 01537660480
 R.E.A: FI-275656

